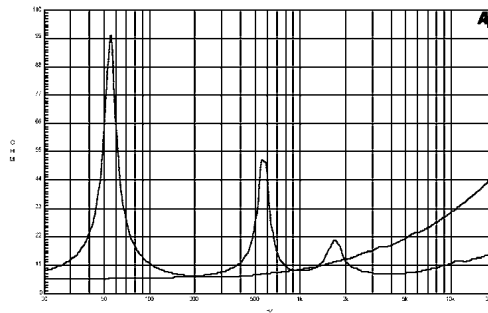
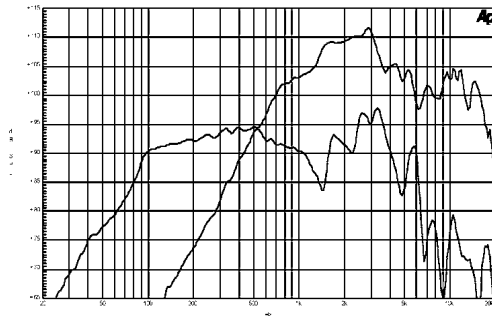




10 NCX | Coaxials

Lightweight 10" coaxial speaker with innovative high energy neodymium one magnet assembly. Newly designed waveguide allows uniform angular coverage and high acoustical load with low distortion. Proprietary water-proof cone treatment for safe use in adverse climatic conditions. Good LF performance in very compact cabinets.



Horns
HF Compression drivers
Coaxials
HPL
Speakers

Specifications

Nominal Diameter	250 mm (10 in.)
Nominal Impedance	8 Ω
Minimum Impedance	6.8 Ω (LF), 7.3 Ω (HF)
Frequency Range	60 - 18000 Hz
Dispersion Angle ¹	70°
LF unit	
Sensitivity (1W/1m) ²	94 dB
Power Handling (60-600 Hz)	
Nominal ³	200 W
Continuous Program ⁴	400 W
Voice Coil Diameter	65 mm (2.5 in.)
Winding Material	Aluminium
HF unit	
Sensitivity (1W/1m) ⁵	106 dB
Power Handling (1200-20000 Hz)	
Nominal	50 W
Continuous Program	100 W
Voice Coil Diameter	65 mm (2.5 in.)
Winding Material	Aluminium
Diaphragm Material	Titanium
Min. Recom. Crossover ⁶	1.2 kHz

Thiele & Small Parameters⁷

Fs	57 Hz
Re	5.6 Ω
Qes	0.35
Qms	3.7
Qts	0.32
Vas	40 dm ³ (1.4 ft ³)
Sd	320 cm ² (49.1 in ²)
η_0	2.0%
X max	± 3 mm
X Var	± 6 mm
Mms	28 g
Bl	12.7 T·m
Le	1.2 mH

¹ Included by -6 dB down points, averaged from 1 kHz to 8 kHz with B&C XO-5 crossover filter.

² Applied RMS Voltage is set to 2.83V for 8 ohms Nominal Impedance. Average SPL from 200 to 4000 Hz.

³ 2 hours test made with continuous pink noise signal (6 dB crest factor) within the specified range. Power calculated on rated minimum impedance. Loudspeaker in free air.

⁴ Power on Continuous Program is defined as 3 dB greater than the Nominal rating.

⁵ Average SPL from 1000 to 18000 Hz.

⁶ 12 dB/oct. or higher slope high-pass filter.

⁷ Thiele-Small parameters are measured after a high level 20 Hz sine wave preconditioning test.





Horns

HF Compression drivers

Coaxials

HPL

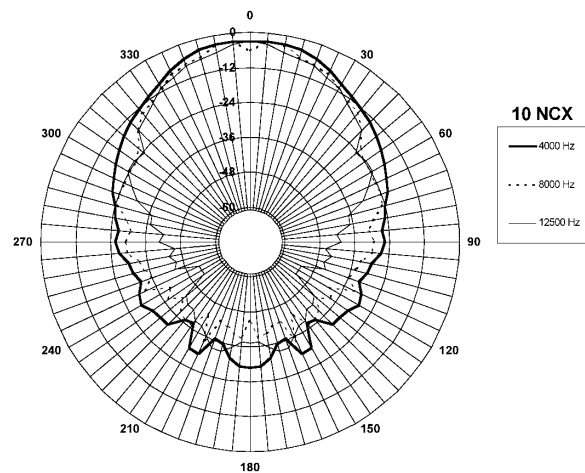
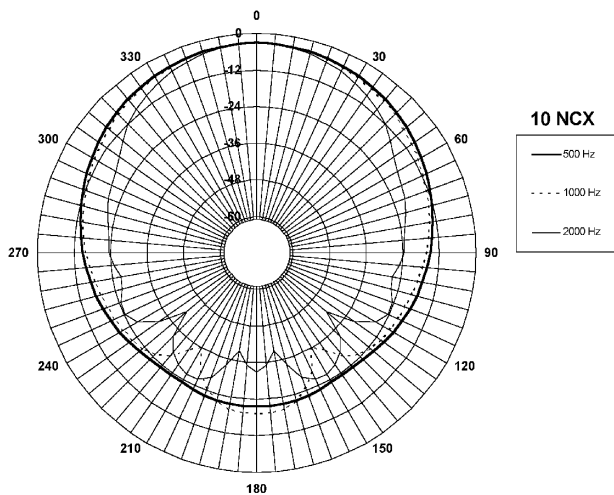
Speakers

Mounting and Shipping Information

Overall Diameter	261 mm (10.2 in)
Bolt Circle Diameter	245 mm (9.6 in)
Baffle Cutout Diameter	230 mm (8.8 in)
Depth	144 mm (5.7 in)
Flange and Gasket Thickness	16 mm (5/8 in)
Net weight	3.9 kg (8.6 lb)
Shipping Weight	4.6 kg (10.1 lb)
Shipping Box	320x320x160 mm (12x12x6.3 in)

XO-5 Crossover

Filter Type	Two way
Nominal Impedance	8 Ω
Crossover Frequency	1.5 kHz
Slope	12 dB/oct. (Low) 12 dB/oct. (High)
Overall Dimensions	117x105 mm (4.6x4.1 in)
Weight	0.6 kg (1.3 lb)



Filtered on axis response (2.83V/1m)

