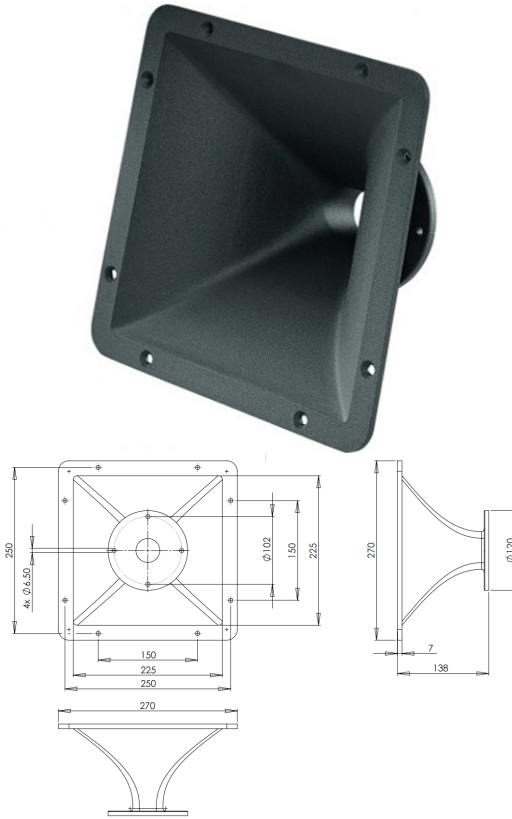


ME90

0Ω

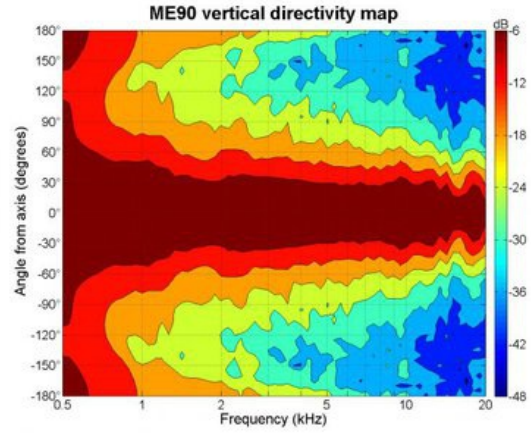
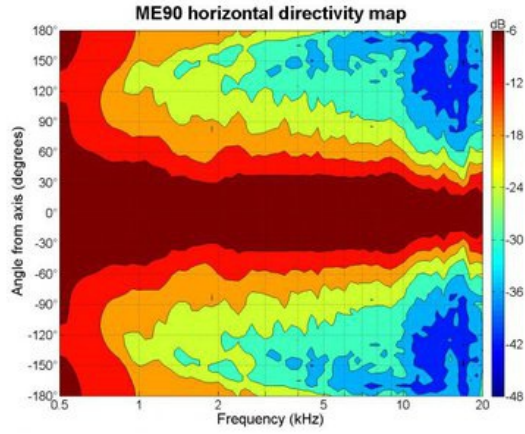
Horns - 1.4 Inches



- 1.4" throat entry
- 80° x 60° nominal coverage
- Constant Directivity
- Very good loading down to 900 Hz

ME90

Horns- 1.4 Inches



SPECIFICATIONS¹

Throat Diameter	36 mm (1.4 in)
Nominal Coverage Horizontal	80 °
Nominal Coverage Vertical	60 °
Cutoff Frequency	0.9 kHz
Material	Cast Aluminium
Dimensions	270x270x138 mm (10.6x10.6x5.4 in)

MOUNTING AND SHIPPING INFO

Baffle Cutout Dimension	255x255 mm (8.8x8.8 in)
Net Weight	1.4 kg (3.1 lb)
Shipping Units	1
Shipping Weight	2.0 kg (4.41 lb)
Shipping Box	295x314x175 mm (11.61x12.36x6.89 in)

1. Horn mounted on B&C DE 900 compression driver.