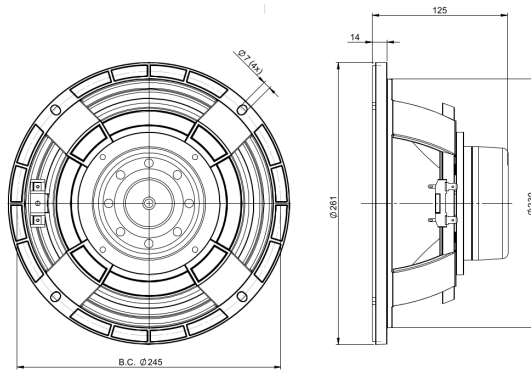


10MBX64

8Ω**LF Drivers - 10.0 Inches**

- 700 W continuous program power capacity
- 64 mm (2.5 in) aluminium voice coil
- 65 - 6000 Hz response
- 100 dB sensitivity
- Neodymium inside slug magnet assembly
- Aluminium demodulating ring allows a very low distortion figure
- Ventilated voice coil gap for reduced power compression

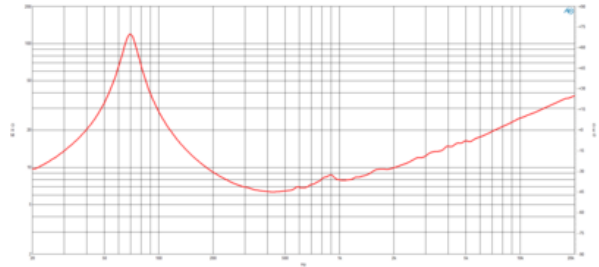
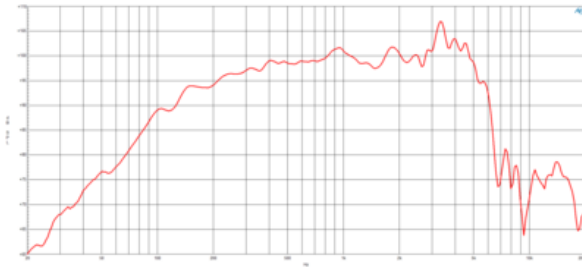


Description

The MBX series mid-bass woofers from B&C Speakers offer acoustic designers a new range of high efficiency, wide bandwidth alternatives that are not currently available in the B&C range. These full-featured transducers incorporate lightweight neodymium motors, inside/outside wound copper clad aluminum wire voice coils, weatherproof impregnated paper cones, and a symmetrical inductance profile. The MBX Series is especially well suited for two-way loudspeaker enclosures.

10MBX64

LF Drivers- 10.0 Inches



SPECIFICATIONS

| | |
|--|-------------------|
| Nominal Diameter | 250 mm (10.0 in) |
| Nominal Impedance | 8 Ω |
| Minimum Impedance | 6.5 Ω |
| Nominal Power Handling ¹ | 350 W |
| Continuous Power Handling ² | 700 W |
| Sensitivity ³ | 100.0 dB |
| Frequency Range | 65 - 6000 Hz |
| Voice Coil Diameter | 64 mm (2.5 in) |
| Winding Material | Aluminium |
| Former Material | Glass Fibre |
| Winding Depth | 12.0 mm (0.47 in) |
| Magnetic Gap Depth | 8.0 mm (0.31 in) |
| Flux Density | 1.25 T |

DESIGN

| | |
|-----------------------|-----------------------------|
| Surround Shape | Double Roll |
| Cone Shape | Radial |
| Magnet Material | Neodymium Inside Slug |
| Spider | Single |
| Pole Design | T-Pole |
| Woofer Cone Treatment | Waterproof Impregnated Cone |

PARAMETERS⁴

| | |
|---------------------|--|
| Resonance Frequency | 65 Hz |
| Re | 5.5 Ω |
| Qes | 0.27 |
| Qms | 5.6 |
| Qts | 0.26 |
| Vas | 28.0 dm ³ (0.99 ft ³) |
| Sd | 346.0 cm ² (53.63 in ²) |
| η _o | 3.2 % |
| Xmax | 4.0 mm |
| Xvar | 5.5 mm |
| Mms | 32.0 g |
| Bl | 16.9 Txm |
| Le | 0.39 mH |
| EBP | 240 Hz |

MOUNTING AND SHIPPING INFO

| | |
|-------------------------------|---|
| Overall Diameter | 261 mm (10.28 in) |
| Bolt Circle Diameter | 245 mm (9.65 in) |
| Baffle Cutout Diameter | 230.0 mm (9.06 in) |
| Depth | 125 mm (4.92 in) |
| Flange and Gasket Thickness | 14 mm (0.55 in) |
| Air Volume Occupied by Driver | 1.5 dm ³ (0.05 ft ³) |
| Net Weight | 3.2 kg (7.05 lb) |
| Shipping Units | 1 |
| Shipping Weight | 3.8 kg (8.38 lb) |
| Shipping Box | 295x314x175 mm (11.61x12.36x6.89 in) |

SERVICE KIT

RCK10MBX648

1. 2 hours test made with continuous pink noise signal within the range Fs-10Fs. Power calculated on rated nominal impedance. Loudspeaker in free air.
2. Power on Continuous Program is defined as 3 dB greater than the Nominal rating.
3. Applied RMS Voltage is set to 2.83 V for 8 ohms Nominal Impedance.
4. Thiele-Small parameters are measured after a high level 20 Hz sine wave preconditioning test.

B&C Speakers s.p.a.

Via Poggiomoro, 1 - Loc. Vallina, 50012 Bagno a Ripoli (FI) - ITALY - Tel. +39 055 65721 - Fax +39 055 6572312 - mail@bcspeakers.com